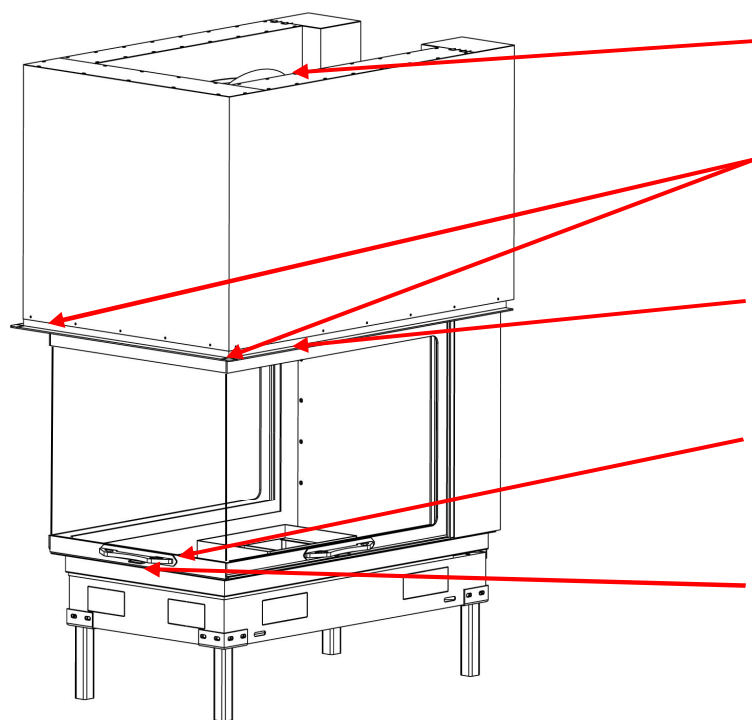


## FIREBOX FEPI0950

Norm NF – EN 13229

PERFORMANCES	Efficiency	71.30%
	Output	7-10 kW
	CO at 13% of O <sub>2</sub>	0.14%
	Particle emissions	16mg/Nm <sup>3</sup>
	Smokes temperature	284°C
	IPEE	≤ 1
	Logs up to	50cm
TECHNICAL CHARACTERISTICS	Approved fuel	Wood Logs NF G1-H1
	Weight	350 kg
	Smoke exit	Ø280
	Convection air exit	4 x Ø125
	Primary air entry	Ø125 with KOA kit
OPERATING CONDITIONS	Flue depression	12/20 PA
	Compulsory fresh air entry	300 cm <sup>2</sup> minimum
	Convection air entry	600 cm <sup>2</sup> minimum
	Convection air exit	647 cm <sup>2</sup> minimum with decompression
	Minimum length of the flue → Possible reduction in mm	6.00m Ø250 for 7m



Smoke exit Ø 277

Swinging door locking (x2)

Damper control

Door handle

Ignition starter

