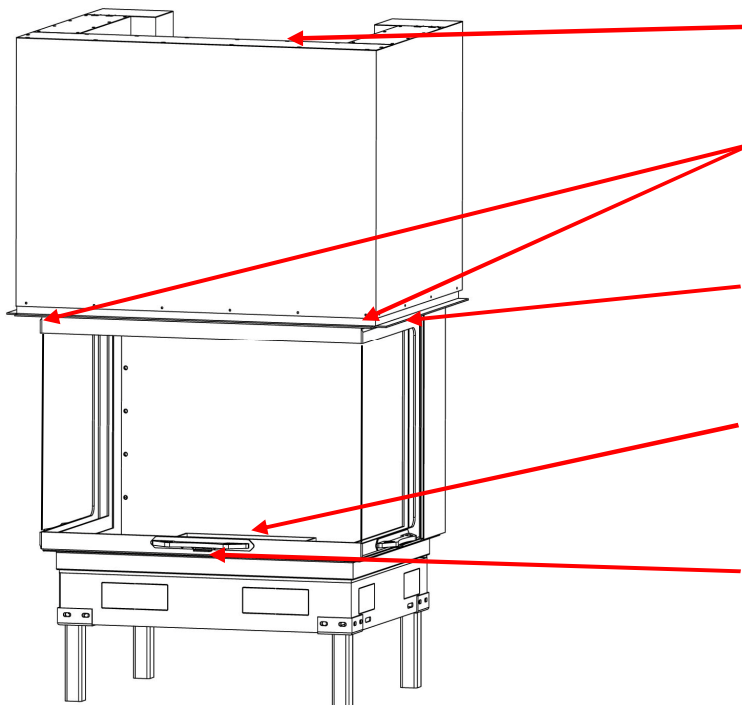


FIREBOX FF09003V

Norm NF – EN 13229

PERFORMANCES	Efficiency	74.3%
	Output	13 kW
	C0 at 13% of O ₂	0.11%
	Particle emission	16mg/Nm ³
	Smokes temperature	228°C
	IPEE	0.55
	Logs	50 cm
TECHNICAL CHARACTERISTICS	Approved fuel	Wood logs NF G1-H1
	Weight	320 kg
	Smoke exit	Ø 247 (male)
	Convection air exit	4 x Ø125
	Primary air entry	Ø125 with KOA kit
OPERATING CONDITIONS	Flue depression	12/20 PA
	Compulsory fresh air entry	300 cm ² minimum
	Convection air entry	600 cm ² minimum
	Convection air exit	647 cm ² minimum with decompression
	Minimum length of the flue → Possible reduction in mm	5.50m Ø230 for 6.50m



Smoke exit Ø 247

Swinging door locking (x2)

Damper control

Door handle

Ignition starter

