

MODEL	DIM 'A'
OMC500L	508mm
OMC1000L	1017mm

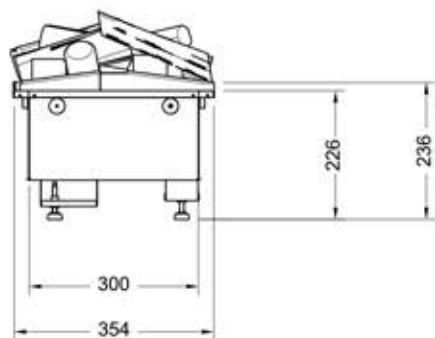


Fig.1

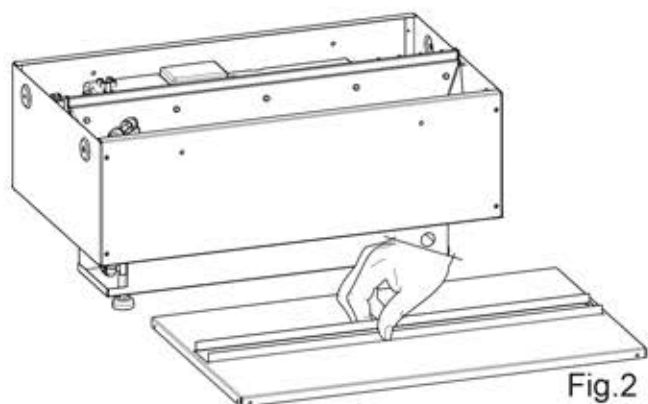


Fig.2

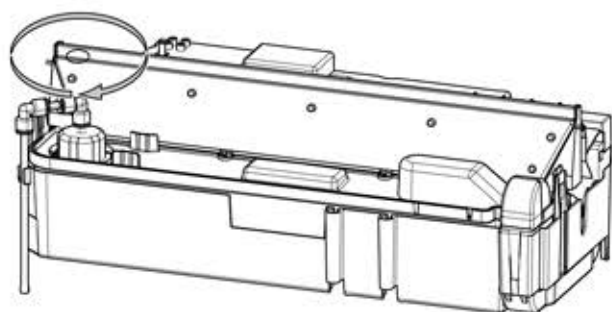


Fig.3a



Fig.3b

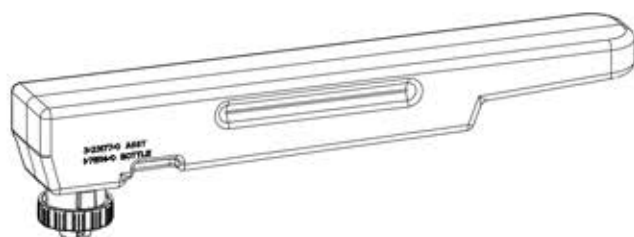


Fig.3c

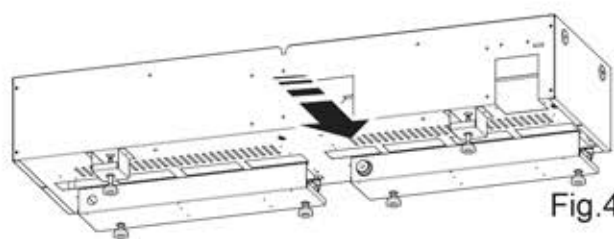


Fig.4



Fig.5